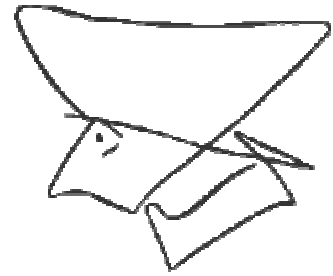


FGS FREX AG

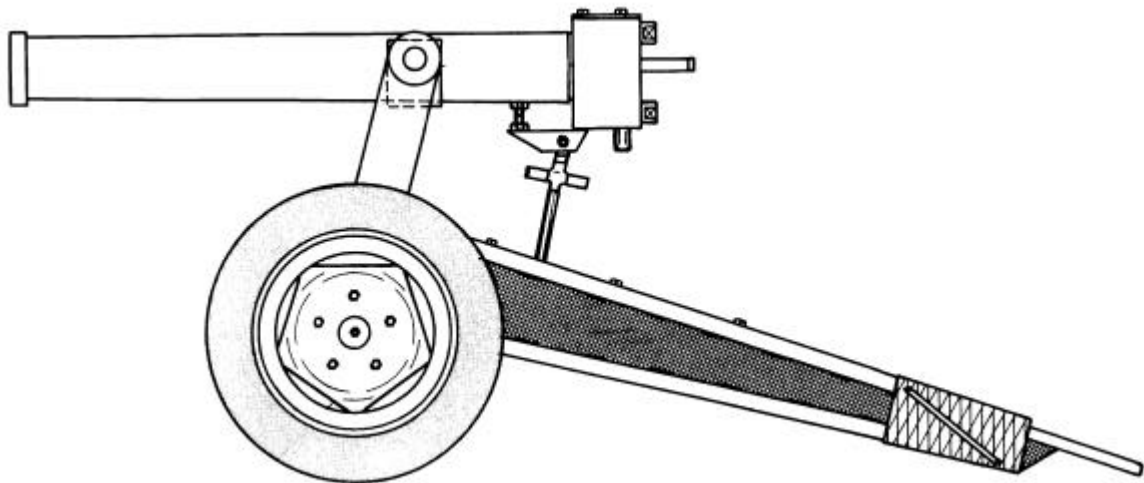
P.O. BOX
CH-6315 Oberägeri

Tel. : +41 41 750 05 15
Fax : +41 41 750 05 17

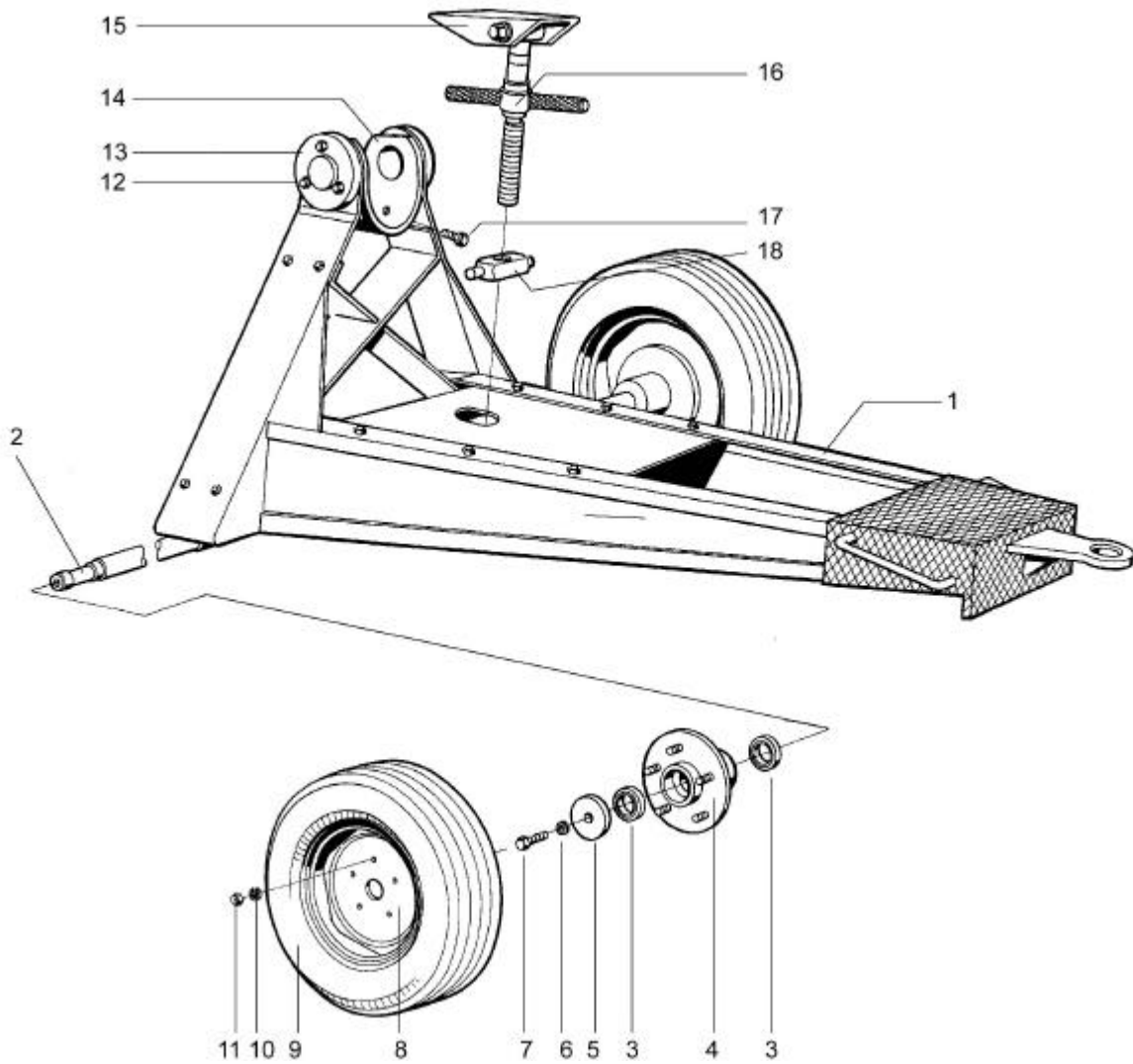


Spare Parts

**Saluting Cannon M 635
75 MM, towed**

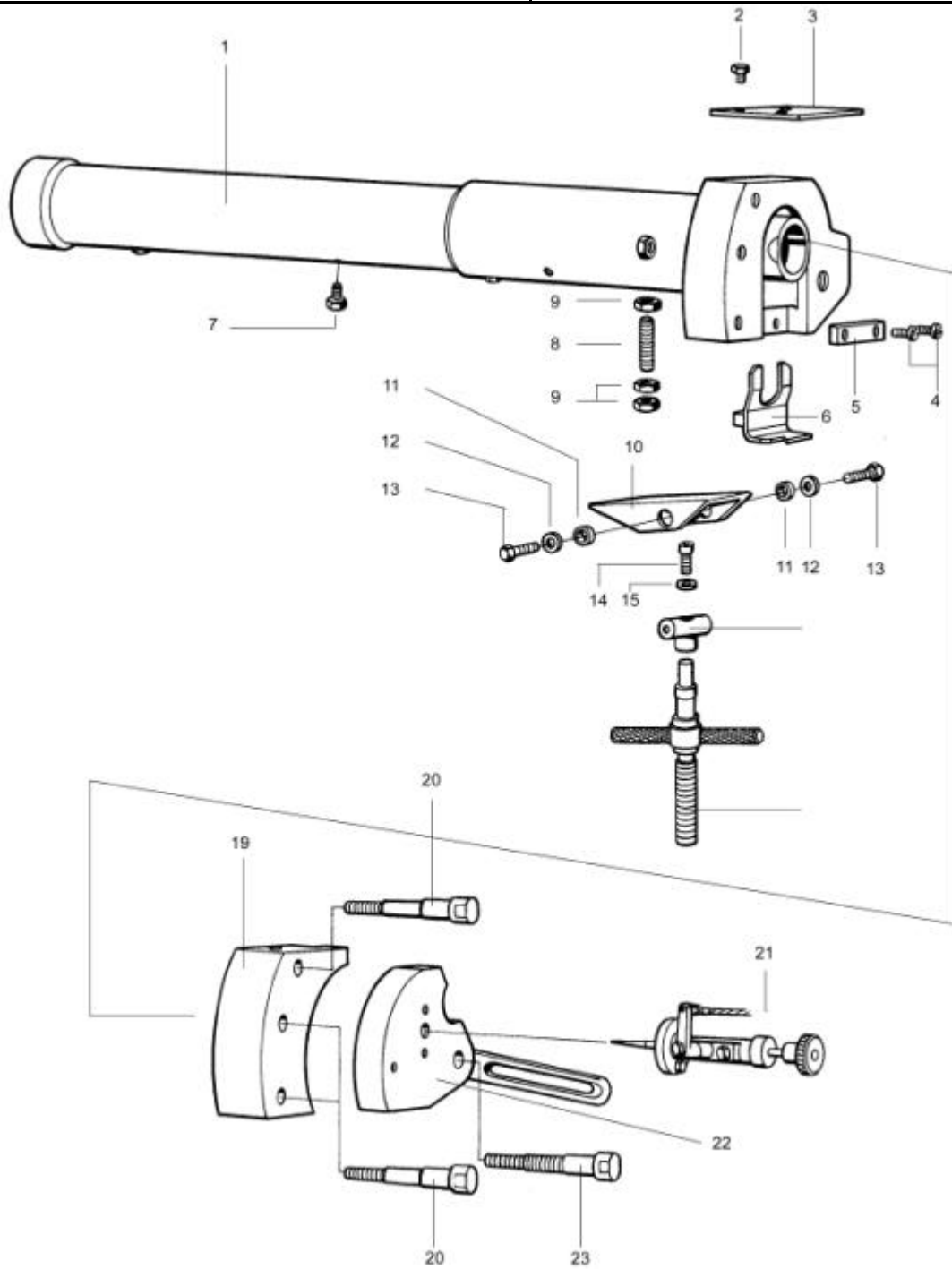


© Copyright 1994
FGS FREX AG
Subject to technical
modifications



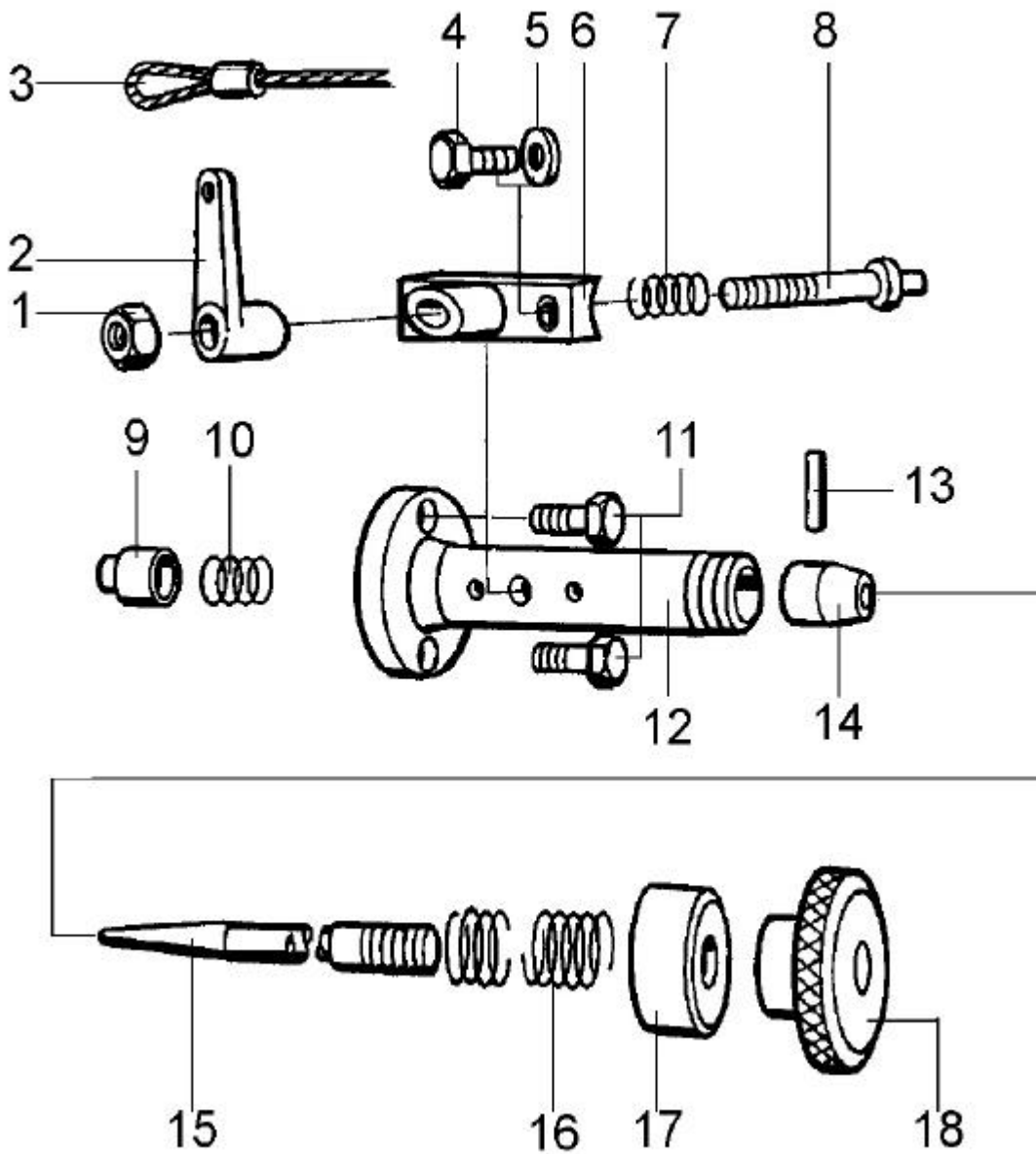
Carriage

No	Designation	Draw. No.	Qty.	Stock-No.
1	Carriage	1095-2	1	320-004
2	Axle-tree	1095-25.1	1	300-104
3	Ball bearing	1095-25.6	4	000-335 000-217
4	Wheel bearing	1095-25.10	2	301-278
5	Cover plate	1095-25.4	2	
6	Spring washer	1095-25.9	2	000-221
7	Hexagonal screw	1095-25.8	2	
8	Rim of wheel	1095-27	2	301-738
9	Tire, "Goodyear" 5.00 – 16 AS	1095-26	2	
10	Spring disc	1095-27.2	2	
11	Hexagonal nuts	1095-27.1	10	000-515-13
12	Hexagonal screw	1095-4.7	6	
13	Guiding disc	1095-4.4	1	
14	Barrel bracket	1095-10.0	1	152-103
15	Elevating rocker	1095-24	1	162-018
16	Elevating spindle, complete	1095-23	1	152-447
17	Hexagonal screw	1095-25.10	2	
18	Spindle guide	1095-7.4	1	



Barrel with Breech

No	Designation	Draw. -No.	Qty.	Stock-No.
1	Barrel with breech plate	1095-30	1	151-700
2	Hexagonal screw	1095-30.7	2	
3	Cover plate	1095-30.5	1	151-073
4	Countersunk screw	1095-30.6	2	
5	Plate	1095-30.4	1	
6	Extractor, complete	1095-31	1	151-009
7	Hexagonal nut	1095-32.7	3	
8	Threaded pin	1095-15	1	
9	Hexagonal nut	1095-15.1	3	
10	Barrel rocker	1095-24.1	1	
11	Bushing	1095-24.4	2	
12	Disc	1095-24.6	2	
13	Hexagonal screw	1095-24.7	2	
14	Cylindrical screw	1095-24.8	1	
15	Disc	1095-24.5	1	
16	Pivot pin	1095-24.2	1	
17	Bearing bushing	1095-24.3	1	
18	Elevating spindle, complete	1095-23	1	152-447
19	Sleeve, bolt support	1095-32.2	1	151-183-16
20	Screw	1095-32.5	3	
21	Firing mechanism, complete	1095-33	1	151-011-03 151-815-09
22	Breech block	1095-32.1 1095-32.3	1	151-688
23	Screw for breech block	1095-32.4	1	151-317-01



Firing Mechanism

No	Designation	Draw. -No.	Qty.	Stock-No.
1	Hexagonal nut	1095-33.15	1	
2	Firing lever	1095-33.9	1	
3	Lanyard sling	1095-33.18	1	
4	Cylindrical screw	1095-33.13	2	
5	Washer	1095-33.14	2	
6	Guiding piece	1095-33.7	1	
7	Compression spring A	1095-33.12	1	
8	Arresting pin	1095-33.8	1	
9	Bushing	1095-33.2	1	
10	Compression spring A	1095-33.10	1	
11	Hexagonal screw	1095-33.17	2	
12	Firing Tube guiding	1095-33.1	1	151-815-09
13	Clamping pin	1095-33.16	1	
14	Bushing	1095-33.2	1	
15	Firing pin	1095-33.3	1	151-011-03
16	Compression spring FD	1095-33.11	1	151-210-02
17	Knurled bushing	1095-33.6	1	
18	Knurled nut	1095-33.5	1	